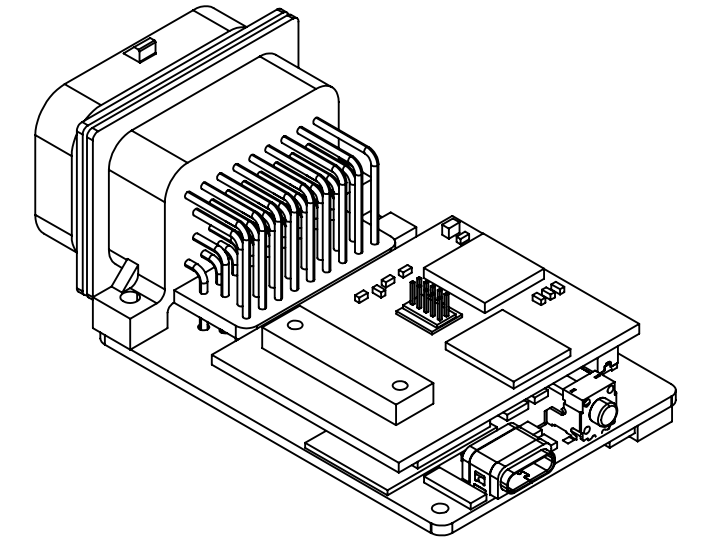
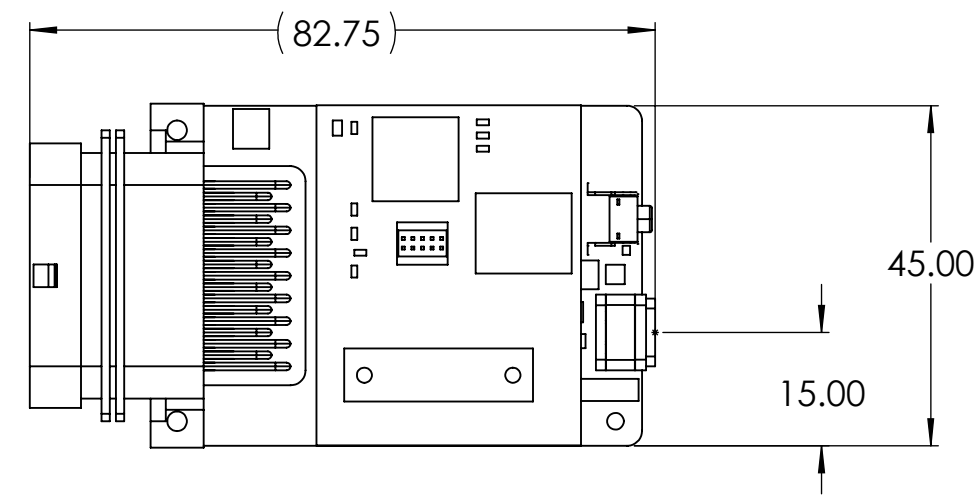
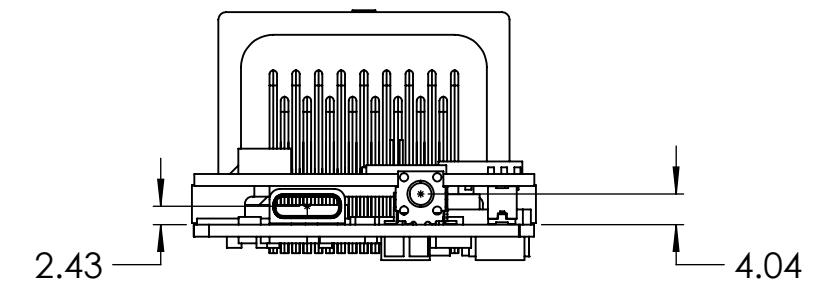
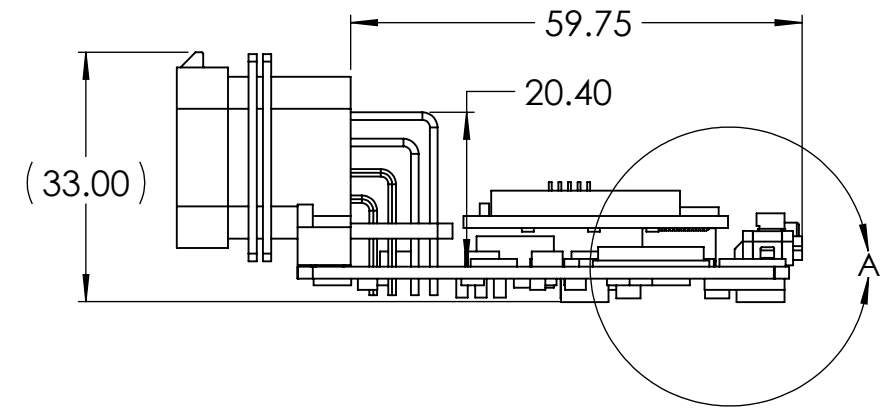


8 7 6 5 4 3 2 1

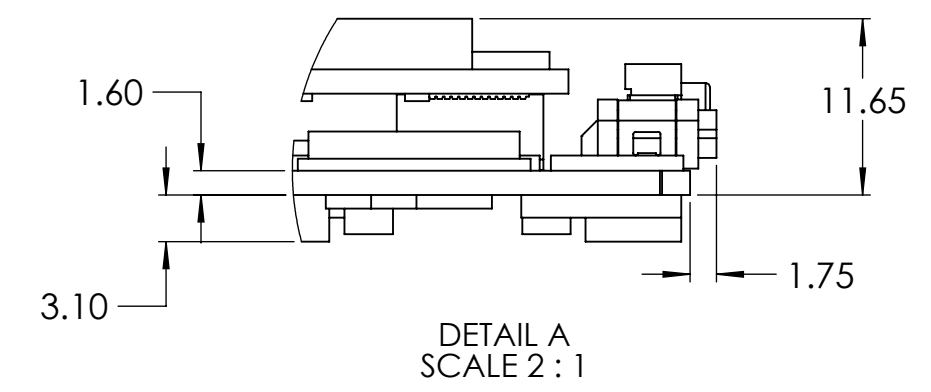
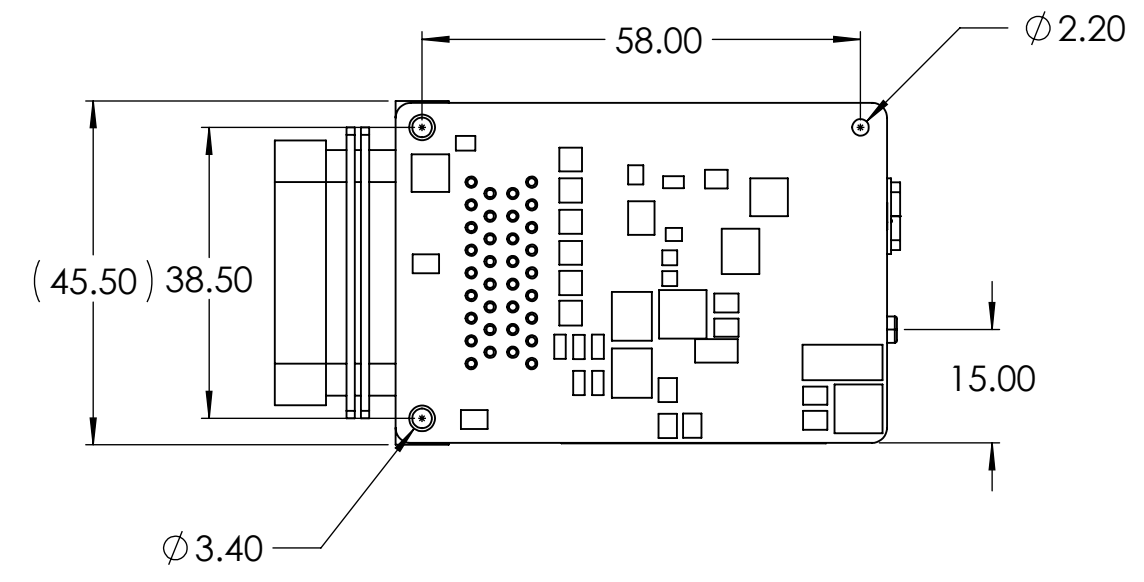
D



C



B



A

REV	DESCRIPTION	DATE	DRW	CH	NAME	DATE
A	INITIAL RELEASE	23-05-10	TB	TB	DRAWN TW	25-01-14
					CHECK TB	25-01-14
					ENG APR TB	25-01-14
PART NO. 250114_VCU_REV4_WITH DAUGHTER BOARD						
MATERIAL Material <not specified>						

**PROPRIETARY AND CONFIDENTIAL**  
 THE INFORMATION CONTAINED IN THIS DRAWING IS THE SOLE  
 PROPERTY OF ENGINEERING DESIGN LAB.  
 ANY REPRODUCTION IN PART OR AS A WHOLE WITHOUT WRITTEN  
 PERMISSION OF ENGINEERING DESIGN LAB IS PROHIBITED.

UNLESS OTHERWISE SPECIFIED:  
 DIMENSIONS ARE IN MM  
 TOLERANCES: 0.2 MM  
 ANGULAR: MACH 0.2° BEND 0.2°

ENGINEERING DESIGN LAB

TITLE:  
**VCU & DAUGHTER BOARD**

SIZE: B SCALE: 1:1 REV **A** SHEET 1 OF 1

8 7 6 5 4 3 2 1