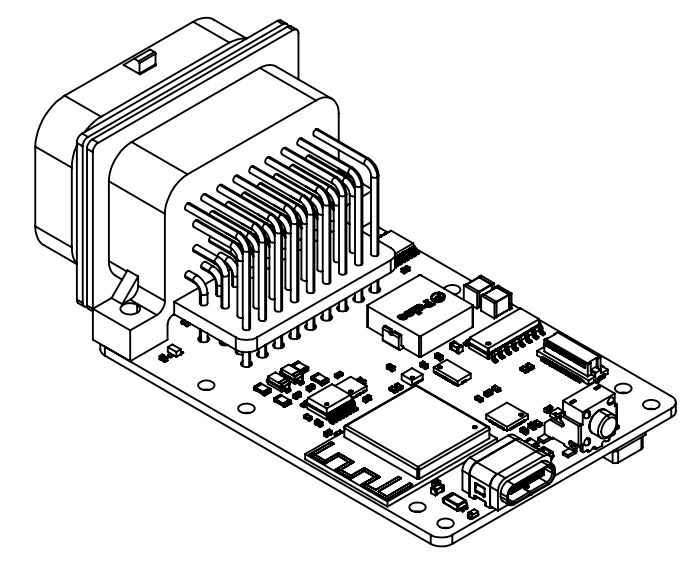
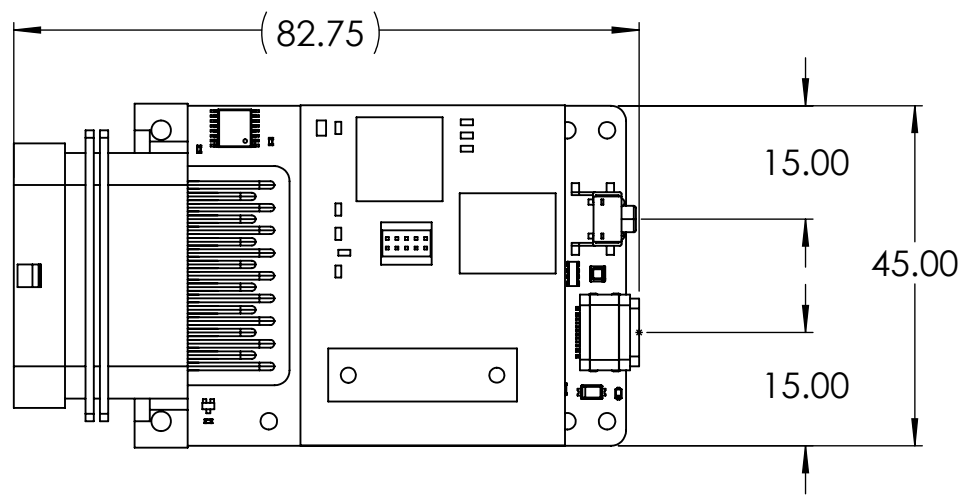
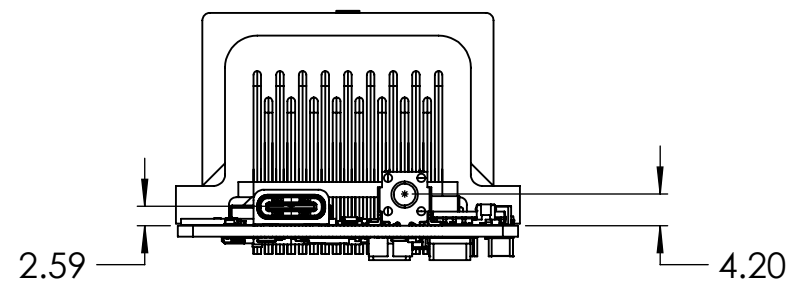
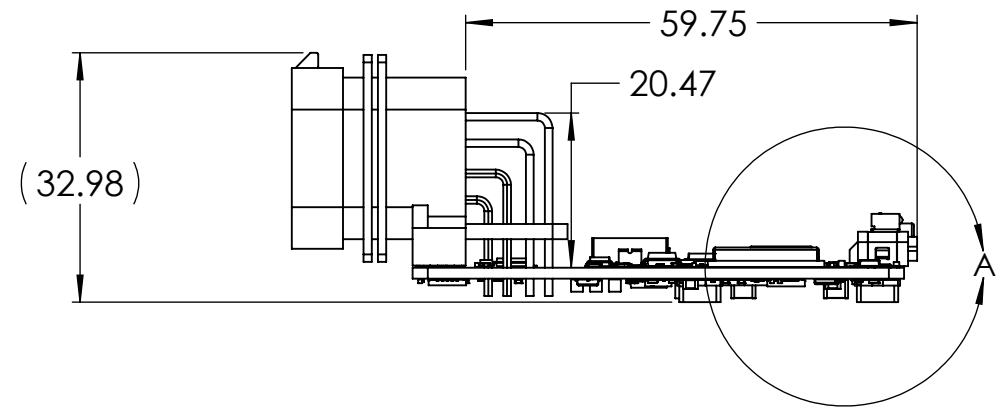


8 7 6 5 4 3 2 1

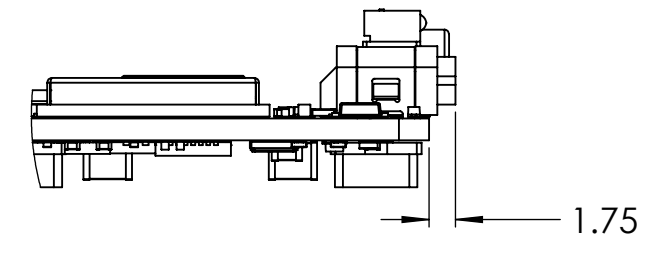
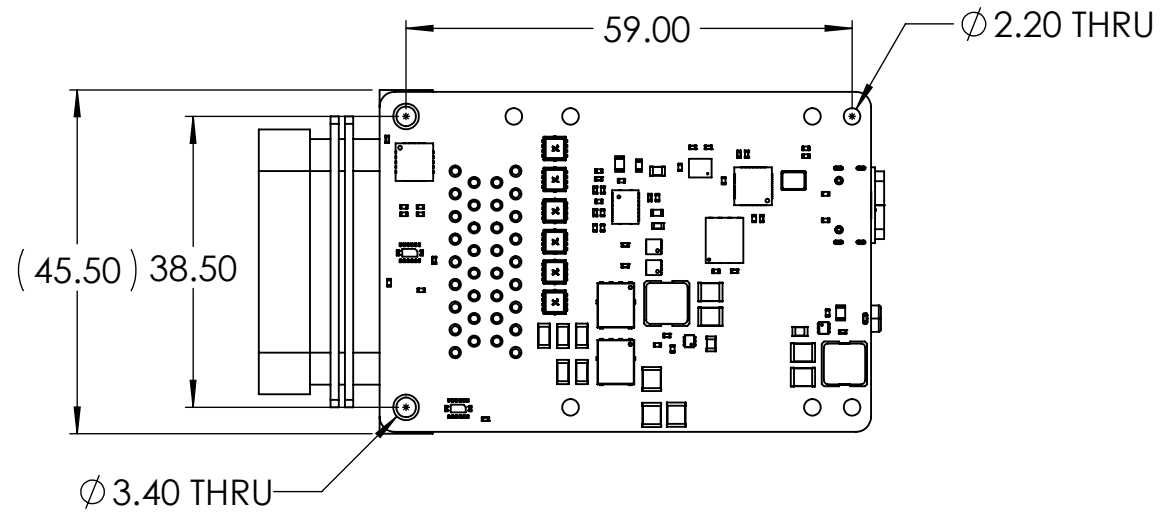
D



C



B



DETAIL A
SCALE 2:1

A

REV	DESCRIPTION	DATE	DRW	CH	NAME	DATE	PROPRIETARY AND CONFIDENTIAL		UNLESS OTHERWISE SPECIFIED: DIMENSIONS ARE IN MM TOLERANCES: 0.2 MM ANGULAR: MACH 0.2° BEND 0.2°		ENGINEERING DESIGN LAB
A	INITIAL RELEASE	25-03-25	TW	TB	DRAWN TW	25-03-25	THE INFORMATION CONTAINED IN THIS DRAWING IS THE SOLE PROPERTY OF ENGINEERING DESIGN LAB. ANY REPRODUCTION IN PART OR AS A WHOLE WITHOUT WRITTEN PERMISSION OF ENGINEERING DESIGN LAB IS PROHIBITED.		TITLE:		
					CHECK TB	25-03-25			VCU REV 6		
					ENG APR TB	25-03-25			SIZE: B		
					PART NO.				SCALE: 1:1		
					250325 VCU REV 6				REV A		
					MATERIAL		FINISH		SHEET 1 OF 1		
					Material <not specified>						

8 7 6 5 4 3 2 1