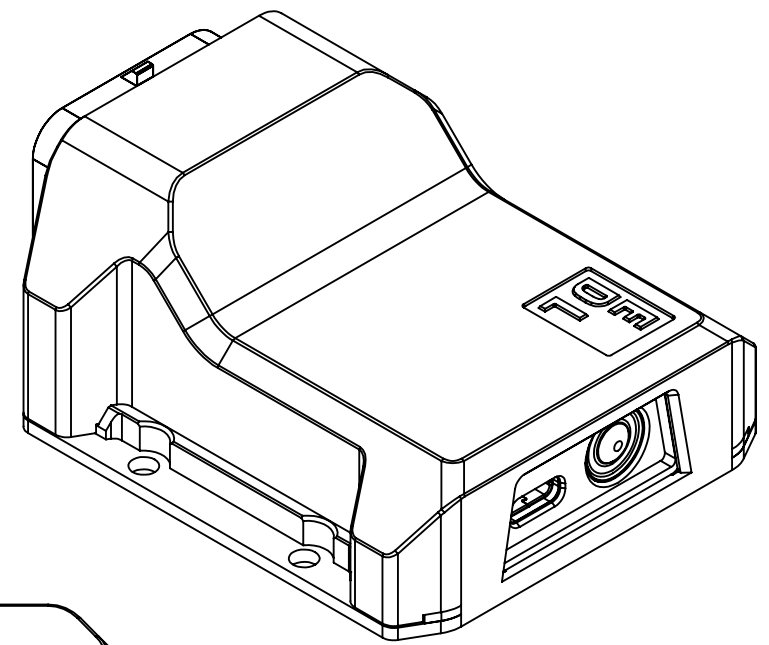
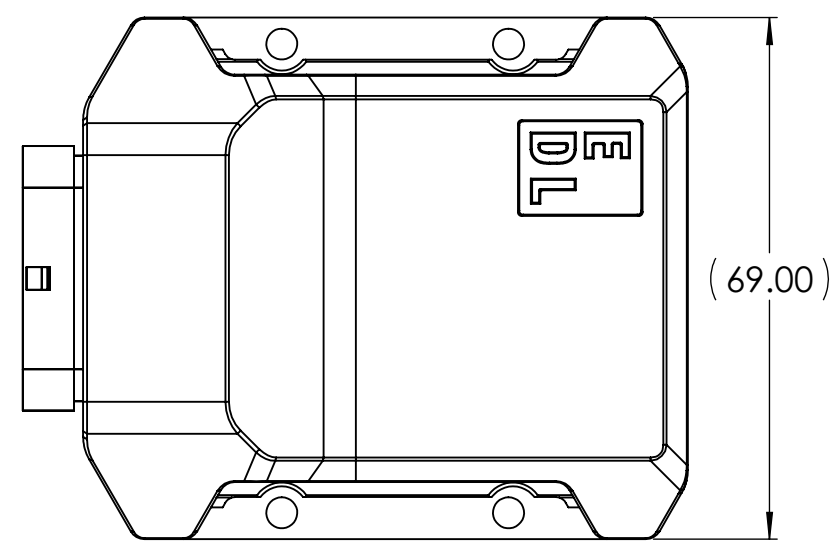


8 7 6 5 4 3 2 1

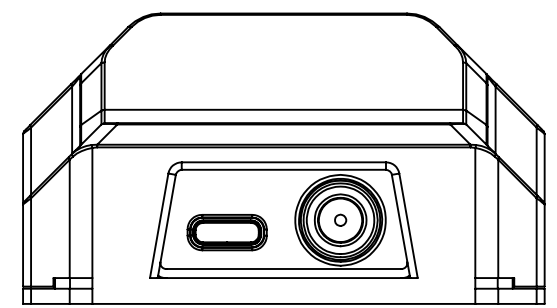
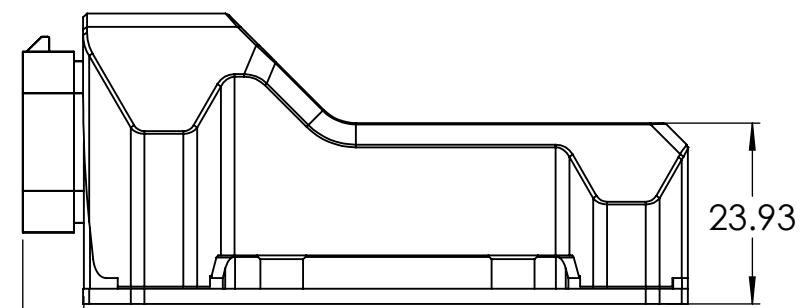
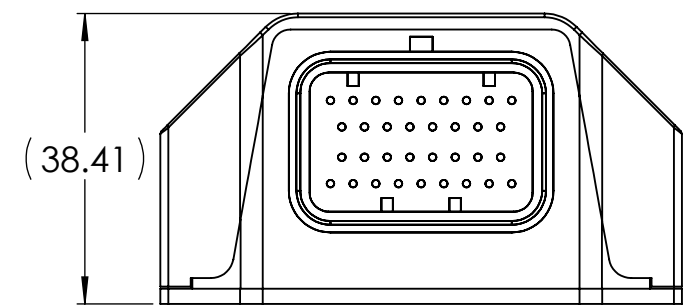
D

D



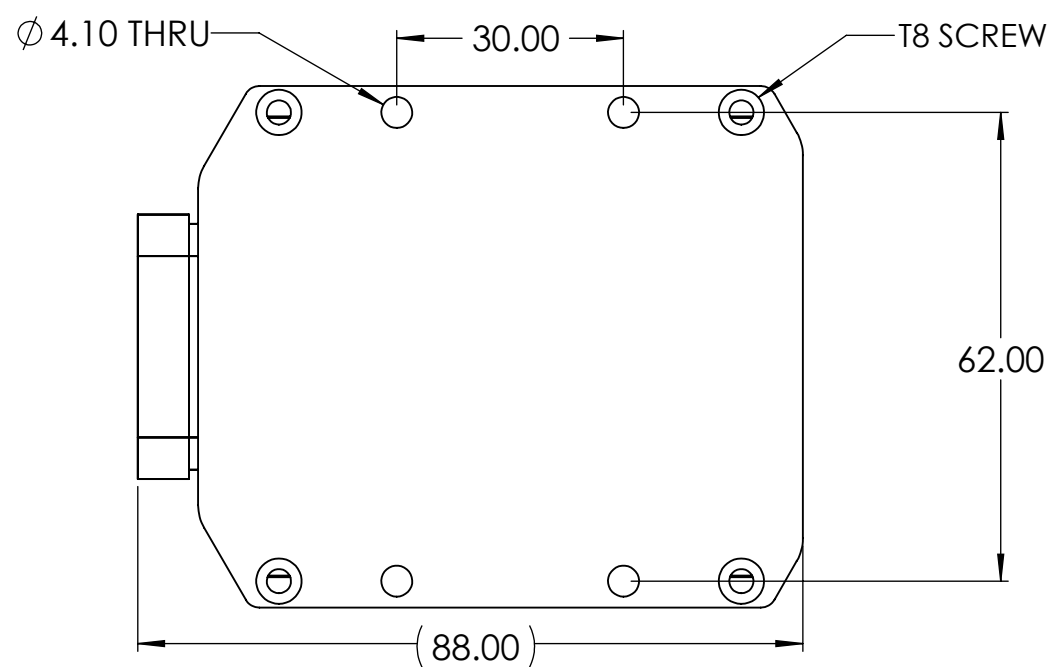
C

C



B

B



A

A

REV	DESCRIPTION	DATE	DRW	CH	NAME	DATE
A	INITIAL RELEASE	25-01-15	TB	TB	DRAWN	25-01-15
					CHECK	25-01-15
					ENG APR	25-01-15
PART NO. 250115 VCU ASY AND ENCLOSURE MATERIAL FINISH						

PROPRIETARY AND CONFIDENTIAL
 THE INFORMATION CONTAINED IN THIS DRAWING IS THE SOLE
 PROPERTY OF ENGINEERING DESIGN LAB.
 ANY REPRODUCTION IN PART OR AS A WHOLE WITHOUT WRITTEN
 PERMISSION OF ENGINEERING DESIGN LAB IS PROHIBITED.

UNLESS OTHERWISE SPECIFIED:
 DIMENSIONS ARE IN MM
 TOLERANCES: 0.2 MM
 ANGULAR: MACH 0.2° BEND 0.2°

ENGINEERING DESIGN LAB

TITLE:
3 VIEW

SIZE: B SCALE: 1:1 REV **A** SHEET 1 OF 1

8 7 6 5 4 3 2 1